

PAROC Glass wool strips

PAROC Glass wool strip PE (XSI 001)
PAROC Glass wool strip twin PE/- (XSI 002)
PAROC Glass wool strip (XSI 003)
PAROC Glass wool strip DIY (XSI 004zdy)
PAROC Glass wool strip PES tissue (XSI 006)



PAROC glass wool strips are used for thermal insulation and patching of various structural seams. Glass wool strips are suitable for structures that do not have fire-technical requirements. For fire-rated structures, we recommend using stone-wool-based PAROC Fire strips.

Glass wool strips are available with and without covering. Plastic (PE/PES) covered strips facilitate, e.g., in the installation work of elements and modules, where the friction of the installation phase may dislodge the rough-surfaced strip. When sealing the window frame, two narrower strips are used so that the outer strip is uncovered, and the inner strip (room side) is covered. The covered strip is a good background for installing the actual seal.

Glass wool is not airtight by itself, so the airtightness of the joint must be ensured with a vapor barrier or, in other structures, with, e.g., suitable sealing material.

APPROVALS:

N/A

APPLICATION:

Element and module connections, window and door connections, construction joints

PACKAGE / STORING:

Plastic bag. Indoor storing max. 30 °C. Outside in normal Nordic conditions protected from the weather.

DIMENSIONS

Product code	thickness	width x length	packing	EAN 64380
PAROC Glass wool strip PE (XSI 001) PE plastic covering	22 mm	60 mm x 15 m	10 rolls / bag	8537786
		60 mm x 15 m	10 rolls / bag, 36 bags / pallet	8556314
		90 mm x 15 m	7 rolls / bag	8537787
		90 mm x 15 m	7 rolls / bag, 36 bags / pallet	8571909
		120 mm x 15 m	5 roll / bag	8537785
	120 mm x 15 m	5 rolls / bag, 36 bags / pallet	8571908	
30 mm	200 mm x 10 m	3 rolls / bag	8567807	
	45 mm	90 mm x 10 m	7 rolls / bag, 27 bags / pallet	8571901
PAROC Glass wool strip twin PE/- (XSI 002) 2-in-1 PE-plastic-covered + non-covered strip, includes installation tool	22 mm 22 mm	60 mm x 15 m + 60 mm x 15 m	10 rolls / bags: 5 PE covered strip rolls + 5 non covered rolls	8537788
PAROC Glass wool strip (XSI 003) no covering includes installation tool	22 mm	50 mm x 15 m	12 rolls / bag	8517947
		50 mm x 15 m	12 rolls / bag, 36 bags / pallet	8537781
		80 mm x 15 m	8 rolls / bag	8517948
		80 mm x 15 m	8 rolls / bag, 36 bags / pallet	8537782
		90 mm x 15 m	7 rolls / bag	8537832
	22 mm	100 mm x 15 m	6 rolls / bag	8517966
		100 mm x 15 m	6 rolls / bag, 36 bags / pallet	8537783
		120 mm x 15 m	5 rolls / bag	8537833
		140 mm x 15 m	4 rolls / bag	8537834
		170 mm x 15 m	4 rolls / bag	8537835
		200 mm x 15 m	3 rolls / bag	8542236
		240 mm x 15 m	3 rolls / bag	8548705
		350 mm x 15 m	2 rolls / bag	8517956
	30 mm	135 mm x 15 m	5 rolls / bag, 18 bags / pallet	8562977
185 mm x 15 m		3 rolls / bag, 18 bags / pallet	8562978	
45 mm	150 mm x 10 m	4 rolls / bag, 18 bags / pallet	8556217	
PAROC Glass wool strip DIY (XSI 004zdy) DIY kit, includes installation tool	22 mm	80 mm x 15 m	single-roll bag with installation tool 12 bags/ carton	8580987
PAROC Glass wool strip PES tissue (XSI 006) PES-tissue-covered strip	22 mm	140 mm x 15 m	4 rolls / bag	8540743
		170 mm x 15 m	4 rolls / bag	8540744
		200 mm x 15 m	3 rolls / bag	8542280



INSTALLATION

All structural seams and structural joints of the building envelope must be carefully sealed. The joints of the building structures, if not insulated, weaken the thermal and sound insulation of the constructions, so sealing and insulating the gaps is very important.

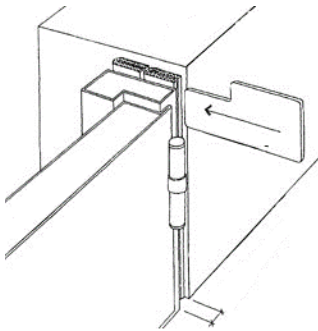
Connections of elements

The joints between the building elements are sealed with a strip of glass wool, either at the element factory or on the construction site. The width of the fiberglass strip is selected according to the thickness of the structure. At the element factory, the PE-coated sealing strip attached to the element or module stays in place better during element installation. The strip is attached to the sides of the element with a stapler directly through the strip.

Joints of windows and doors

The gap between the window/door frame and the installation frame is sealed and thermally insulated with glass wool strips, either at the factory or on site. On the construction site, the seal is installed by inserting several narrower glass wool strips in several layers into the gap. The uncoated strips are installed on the outer surface of the structure and the PE-coated strip on the inner surface of the structure.

Finally, the insulated gaps are closed with either a suitable sealant or vapor barrier (plastic + tape), because simply patching the gaps does not make the structure air- and vapor-tight.



TECHNICAL PARAMETERS

Property	value	according to	
Fire properties			
Reaction to fire, Euro class	Non-covered products: A1 PE/PES-covered products: NPD		
Thermal insulation properties			
Thermal conductivity, λ_D	0.035 W/mK		
Thickness tolerance	T2		
Moisture properties			
Water vapor transmission, MU	Non covered products: 1 PE/PES covered products: NPD		
Durability			
	Thermal conductivity of mineral wool products does not change with time, experience has shown the fiber structure to be stable, and the porosity contains no other gases than atmospheric air.		
End of life			
	Mineral wool and PE/PES covering can be recycled separately		